



LK954ST

BenQ DLP Projector

- Laser Light Source 5100 ANSI Lumens
- 4K UHD (WQXGA Compatible)
- Short Throw
- Big Zoom & Lens Shift
- DisplayPort
- HDBaseT
- Fast Mode



DISPLAY

Projection System	DLP Single 0.47"
DMD type	DC3 DMD Chip
Native Resolution	4K (3840 x 2160)
Brightness	5100 ANSI Lumens
Contrast Ratio*	3,000,000:1
Display Color	30 Bits (1.07 billion colors)
Aspect Ratio	Native 16:9 (5 aspect ratio selectable)
Light Source	Laser
Light Source life**	Normal 20,000 hours

OPTICAL

Throw Ratio	0.81 - 0.89
Zoom Ratio	1.1x
Lens Control	Manual Zoom and Focus
Lens shift	Manual lens shift, V: ±60%; H: ±23%
Keystone Correction	3D keystone, V: ±40 degree; H: ±40 degree; R: ±40 degree
Projection Offset	NA
Projection Size	30" - 300"

AUDIO

Built-in Speaker	10W x1
------------------	--------

SPECIAL FEATURE

Security	Security Bar
Features	Large lens shift, Projector/ Remote Control ID Setting, HDBaseT, DisplayPort, S/PDIF, 360 Projection, Portrait, 3D sync in and out, 4K Upscaling, White Balance Adjustment

COMPATIBILITY

Resolution Support	VGA (640 x 480) to 4K UHD (3840 x 2160), *RB-Reduced Blanking *4K input compatible
Horizontal Frequency	15K-135KHz
Vertical Scan Rate	23-240 Hz
HDTV Compatibility	480i, 480p, 576i, 576p, 720p, 1080i, 1080p, 2160p
Video Compatibility	NA

POWER

Power Consumption (Max/Normal/Eco)	495W/440W/315W
Standby Power Consumption	Normal < 0.5W, Network <2W
Power Supply	100 - 240V AC

DIMENSION AND WEIGHT

Product Dimensions (WxHxD)	416 x 166 x 351mm
Product Weight	7Kg ±200gr

OPERATION CONDITION

Noise Level (Normal/Eco)	40/33 dBA
Operating Temperature	0 - 40°C

ACCESSORIES

Accessories (Standard)	Power Cord, HDMI cable, Remote control (RCA011), AAA Battery x2, Installation Guide/Regulatory Statement (Combined), Warranty card(by sku)
Accessories (Optional)	Ceiling mount (CMG3), 3D glasses

OSD

On Screen Display Language	Arabic/ Bulgarian/ Croatian/ Czech/ Danish/ Dutch/ English/ Finnish/ French/ German/ Greek/ Hindi/ Hungarian/ Italian/ Indonesian/ Japanese/ Korean/ Norwegian/ Persian/ Polish/ Portuguese/ Romanian/ Russian/ Simplified Chinese/ Spanish/ Swedish/ Turkish/ Thai/ Traditional Chinese/ Vietnam (30 languages)
----------------------------	--

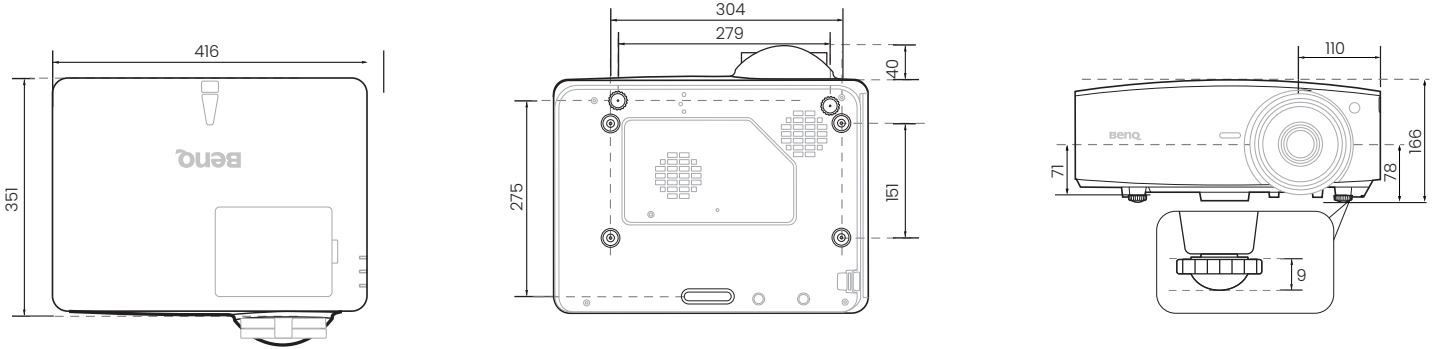
Environment Notice

* The Contrast is measured by Full On/Full Off standard.
 ** Light Source Life results will vary depending on environmental conditions and usage Actual product's features and specifications are subject to change without notice.

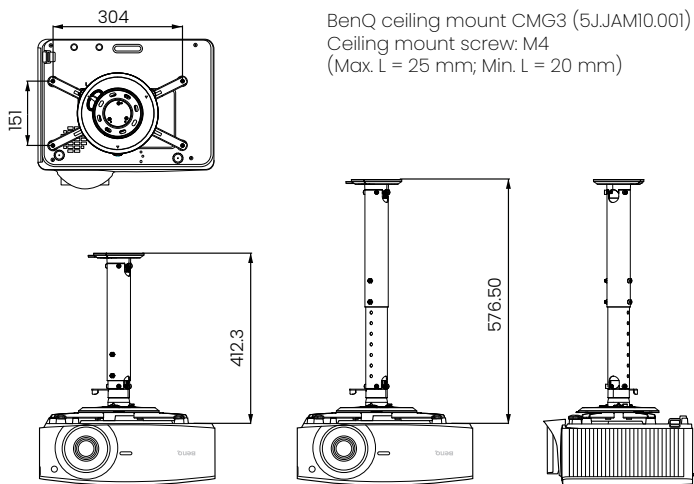
INPUT AND OUTPUT TERMINALS



DIMENSIONS

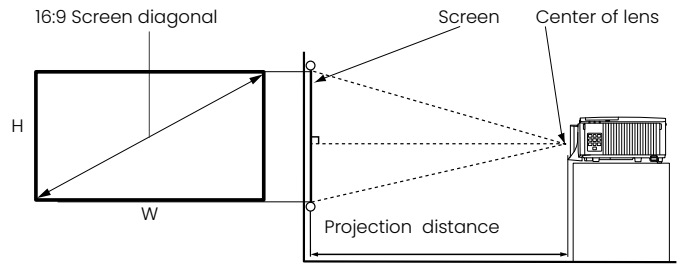


CEILING / WALL MOUNT CHART



All units in mm

PROJECTION DIMENSIONS



DISTANCE CHART

SCREEN SIZE		PROJECTION DISTANCE (MM)				
Diagonal		H (mm)	W (mm)	Min distance (with max zoom)	Average	Max distance (with min zoom)
Inch	mm					
30	762	374	664	538	565	591
40	1016	498	886	717	753	788
50	1270	623	1107	897	941	985
60	1524	747	1328	1076	1129	1182
70	1778	872	1550	1255	1317	1379
80	2032	996	1771	1435	1505	1576
90	2286	1121	1992	1614	1694	1773
100	2540	1245	2214	1793	1882	1970
110	2794	1370	2435	1972	2070	2167
120	3048	1494	2657	2152	2258	2364
130	3302	1619	2878	2331	2446	2561
140	3556	1743	3099	2510	2634	2758
150	3810	1868	3321	2690	2823	2955
160	4064	1992	3542	2869	3011	3152
170	4318	2117	3763	3048	3199	3349
180	4572	2241	3985	3228	3387	3547
190	4826	2366	4206	3407	3575	3744
200	5080	2491	4428	3586	3763	3941
210	5334	2615	4649	3766	3952	4138
220	5588	2740	4870	3945	4140	4335
230	5842	2864	5092	4124	4328	4532
240	6096	2989	5313	4304	4516	4729
250	6350	3113	5535	4483	4704	4926
260	6604	3238	5756	4662	4893	5123
270	6858	3362	5977	4842	5081	5320
280	7112	3487	6199	5021	5269	5517
290	7366	3611	6420	5200	5457	5714
300	7620	3736	6641	5380	5645	5911

BenQ

business-display.benq.eu



© 2022 BenQ Corp. Specifications may vary by region, please visit your local stores for details. Actual product's features and specifications are subject to change without notice. This material may include corporate names and trademarks of third parties which are the properties of the third parties respectively.